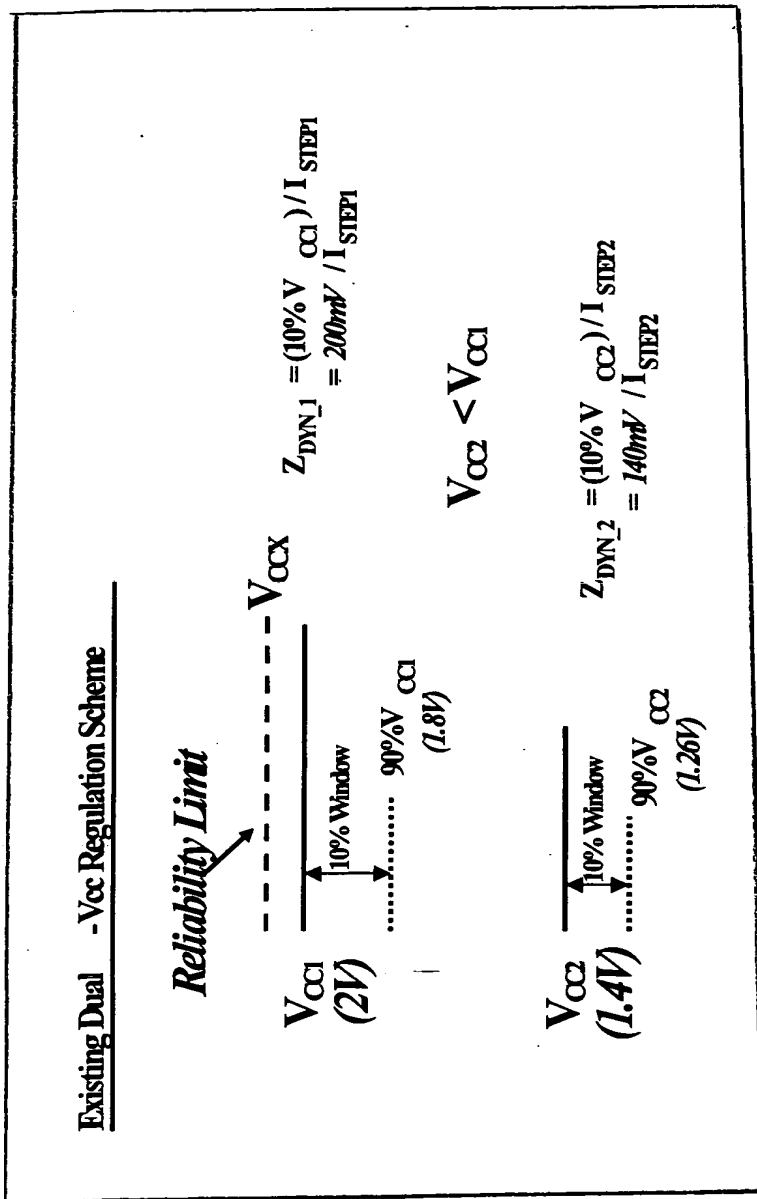


CONFIDENTIAL



PRIOR ART

Fig. 1

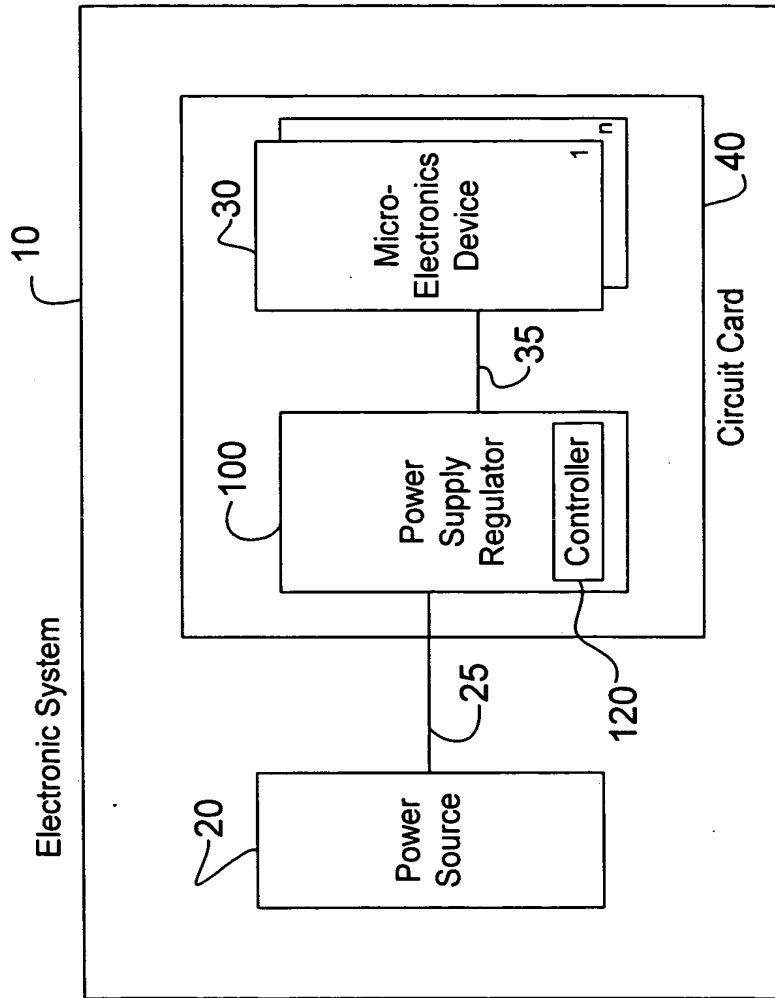


Fig. 2

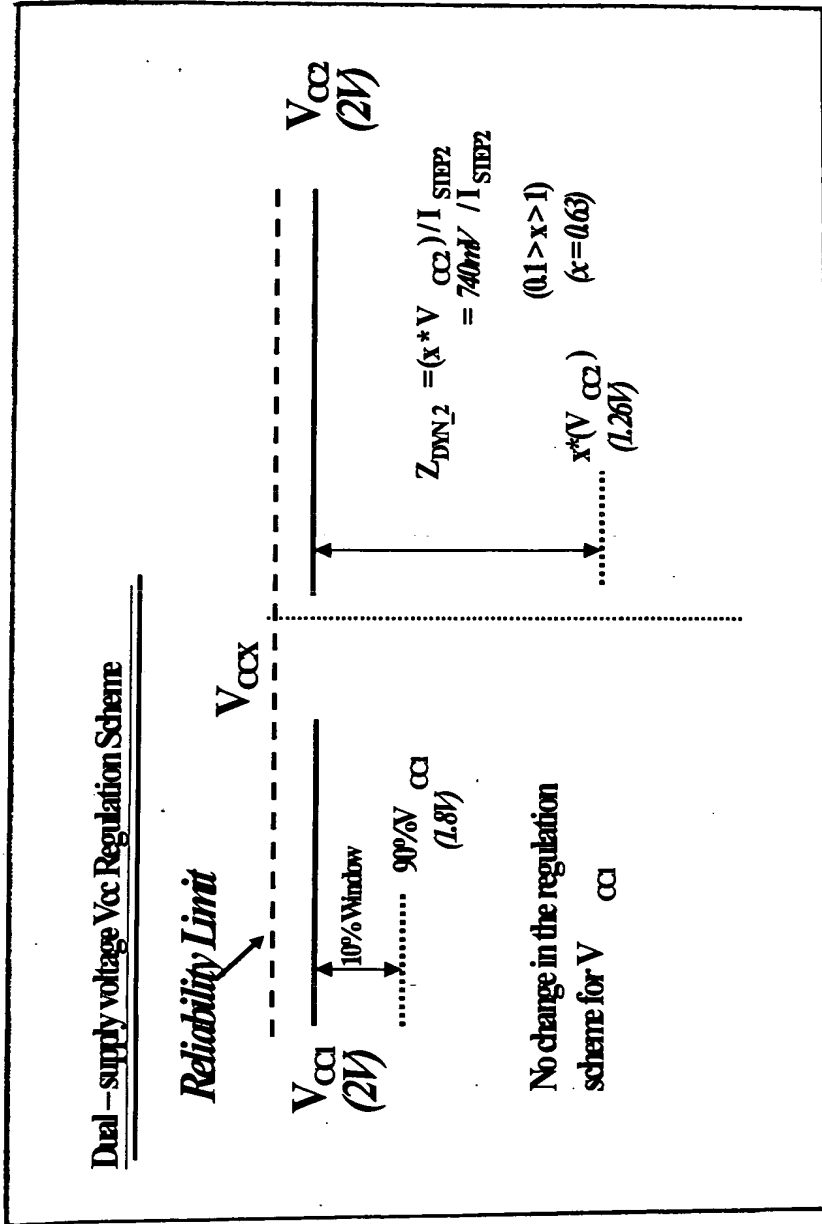


Fig. 3

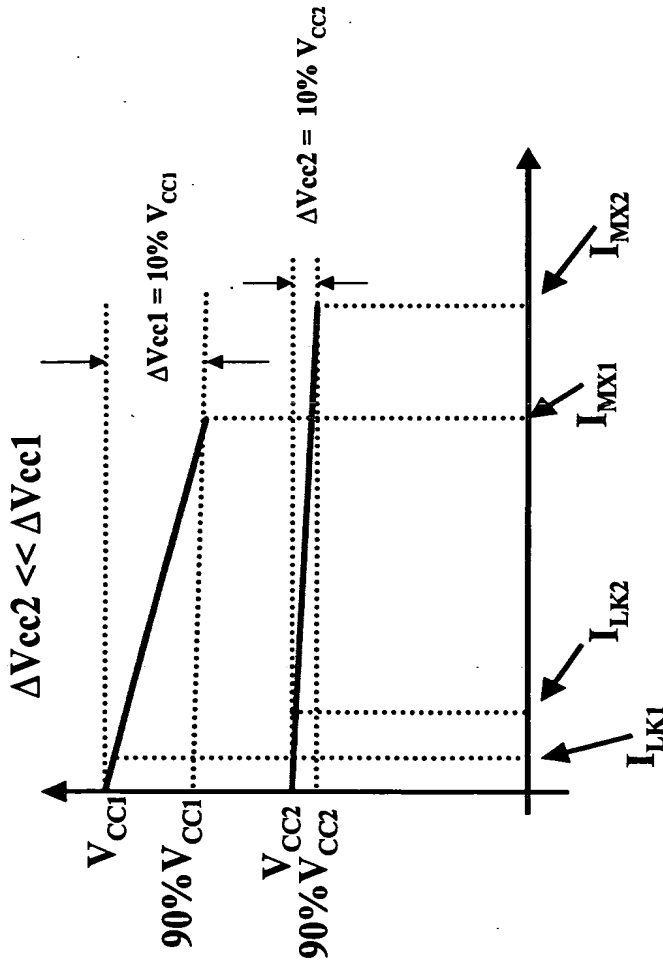


Fig. 4

20040123 50363007

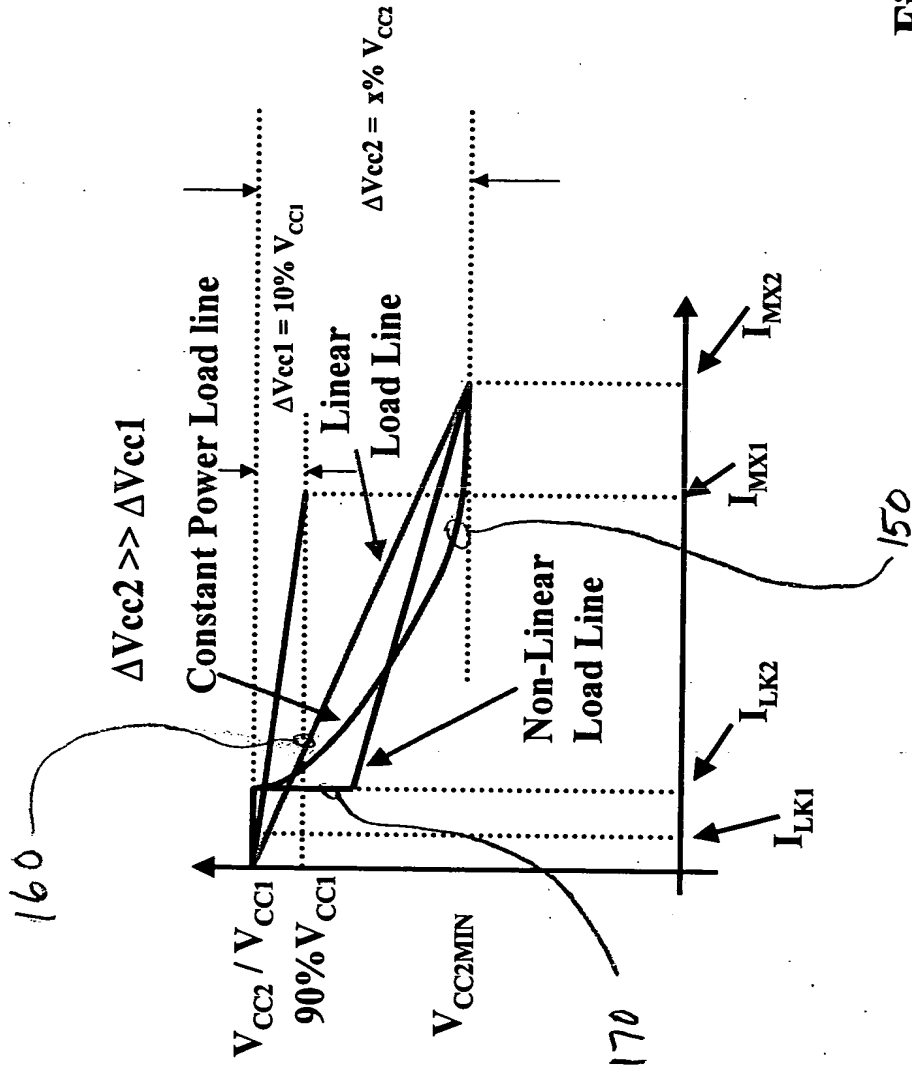
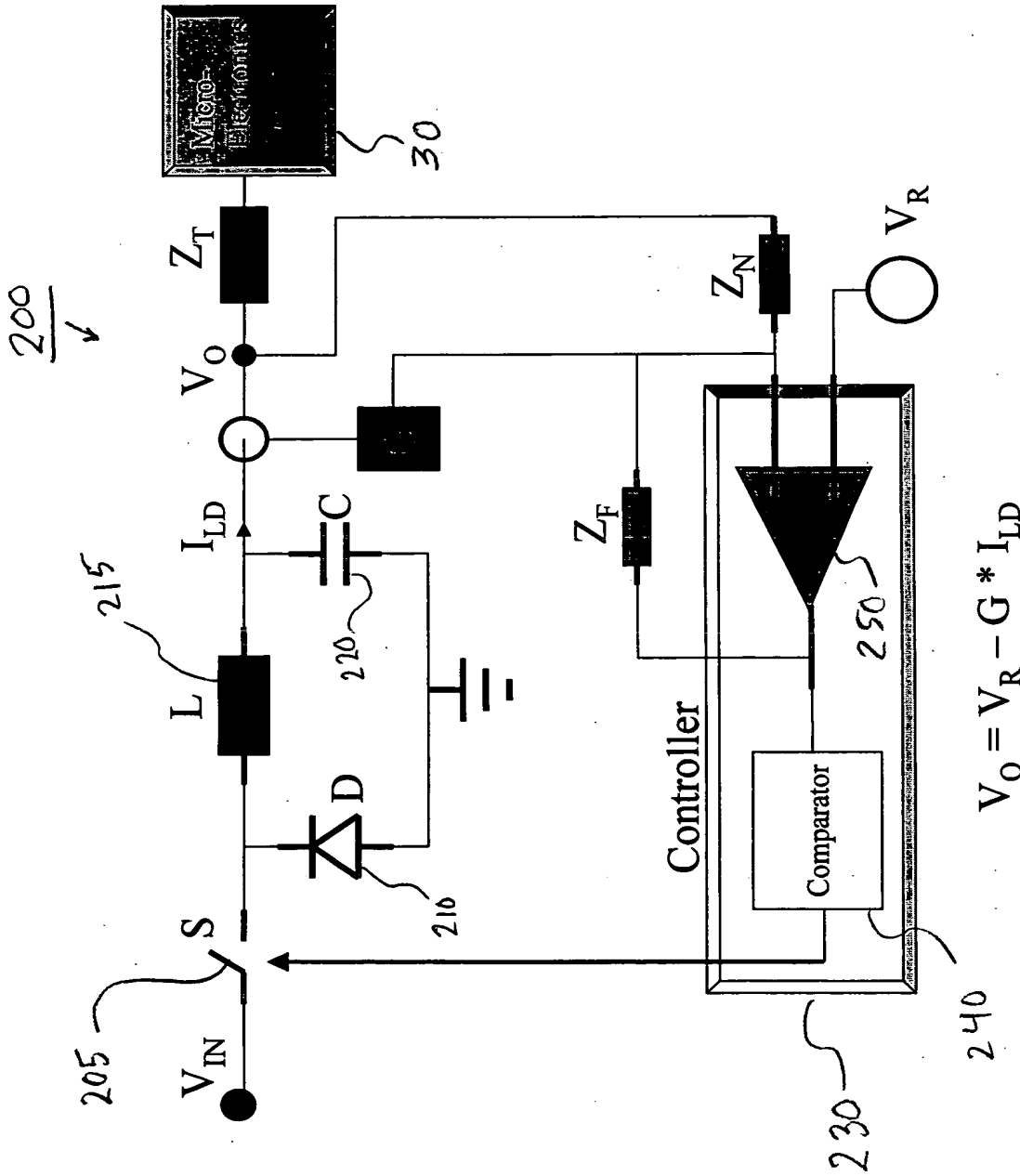


Fig. 5

2011070 539E500F



Z_F & Z_N form the compensation network

Fig. 6

Patent # 6,888,888
 300

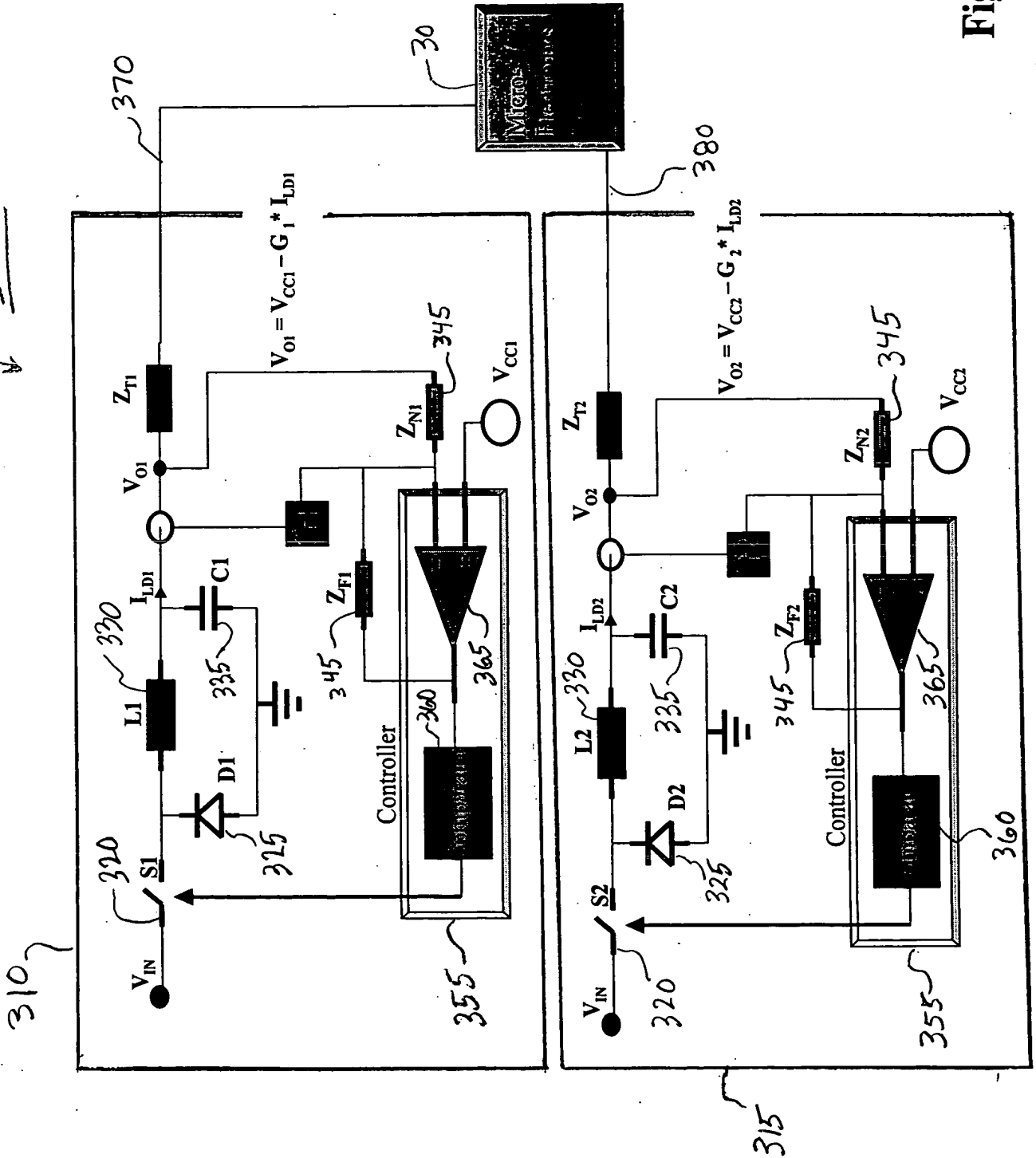


Fig. 7

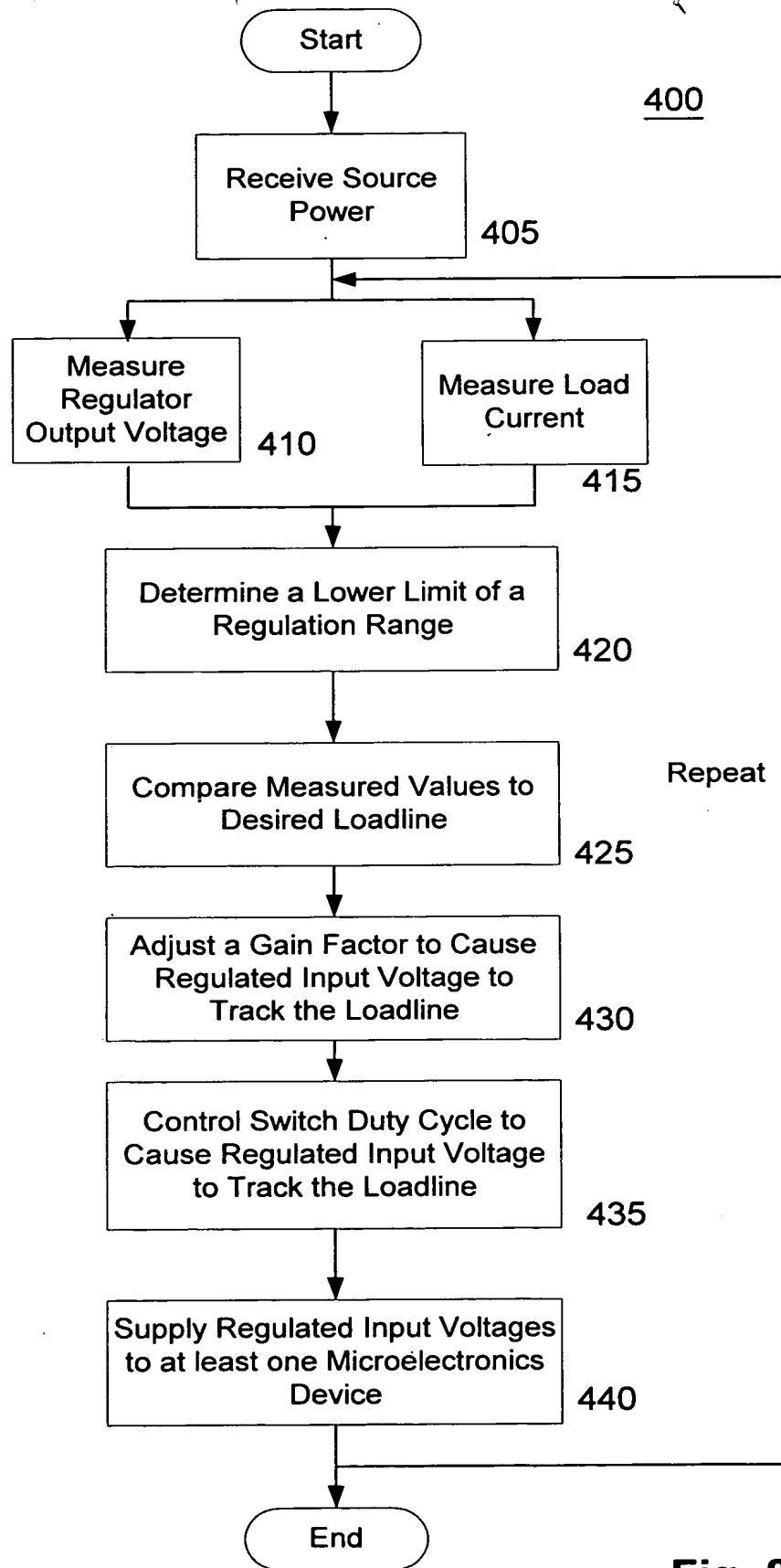


Fig. 8